

## STONE BATHTUB INSTALLATION PROCEDURE

### General Considerations:

- Floor support under bath must provide for a minimum of 1400 lbs. (635 kg). Hot water supply should be 70% of capacity or greater.
- We strongly recommend to have access from the floor below, it will help you to connect the piping much more easily. Connecting without having access is also possible.
- Determine the location of the bathtub, taking the position for the faucets into account as well as the water supply piping and the drain.
- Shims may be required to level the tub depending on finish floor surfaces. Shims are not included. When adjusting the level allow a slight clearance (1/8") between the finished floor and the apron. Note: use a level to ensure accuracy.
- Install the plumbing and drainage before securing the unit in place.
- Before cutting a hole in the floor for drain piping, ensure the space is free of pipes, floor joists, heating ducts and electrical wires. If the location for the bathtub is not free of these please contact a building structure expert prior to cutting any joist.
- It is recommended to have the plumbing installed by a professional plumber.

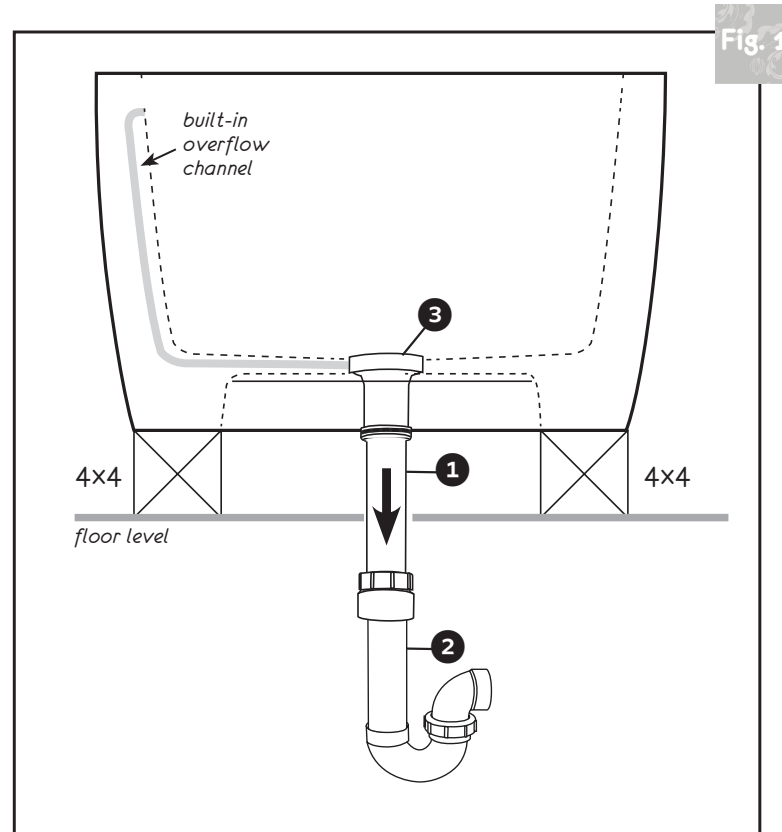
### Floor opening

Determine the position of the bathtub allowing enough space for the plumbing and making sure that the drain and plumbing are not directly above the floor joists. You will need to cut an opening in the floor. We recommend that you do this only once you have the tub on hand.



## STONE BATHTUB INSTALLATION PROCEDURE

### INSTALLATION SEQUENCE *continued*



#### Installation Instructions if you don't have access from the room below:

- Before placing the bathtub, insert the male part of the expansion joint (1) halfway to the female part (2). Note - these 2 parts are not supplied with the tub and must be supplied by your plumber.
- Place the bathtub by raising it up 3 1/2" with 4X4 pieces of lumber so you can still have access from the bottom of the bathtub.
- Align the drain (3) to the expansion joint (1) (fig.3).
- From the bottom of the bathtub, tighten the collars of the expansion joint (1) to the drain (3) (don't forget to use the seal washer in between).
- Tighten the collars of the expansion joint (2) just tight enough so the male part (1) can still slide in. (Fig.3)
- Fill the water in the bathtub and let it drain out.
- From the bottom, make sure that all the joints are watertight.
- Move the bathtub down slowly by removing the pieces of lumber.
- Do a silicone joint pressure seal between the base of the bathtub and the floor. The sealer absolutely must penetrate thoroughly beneath the rim of the apron. This will ensure that no water seeps underneath the bathtub, while also supporting the tub apron.

## STONE BATHTUB INSTALLATION PROCEDURE

### CARE INSTRUCTIONS

#### **AquaStone™ Bathtub Cleaning & Repair**

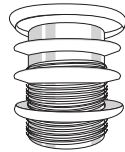
AquaStone™ bathtubs are durable, low maintenance and hygienic product that is injection-molded, non-porous and anti-microbial which is stain and impact resistant, and easy to clean: after each use, simply wipe with a soft cloth to remove any surface dirt.

#### **Routine Care**

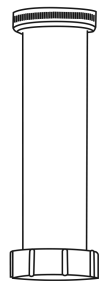
- Never expose AquaStone™ to petroleum based products, such as paint removers, oven cleaners or other solvent (**Note:** personal hygiene products and cosmetics will NOT damage the surface)
- We recommend that stains are removed within 24 hours
- Do not directly cut the AquaStone™ surface
- Aquatica does not recommend exceeding US/Canada maximum hot water temperature regulations of 120°F/50°C, respectively. Exceeding stated temperatures could result in damage to AquaStone™ products.

## STONE BATHTUB INSTALLATION PROCEDURE

### APPENDIX



- **Drain** (provided)



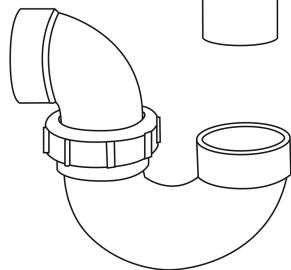
- **1½" Tail Piece with Nut\*** (cut to length)



- **1½" Male Adapter\*** (cut to length)



- **1½" ABS Pipe\*** (cut to length)



- **1½" ABS Trap\***

\* Provided by plumber

---

#### **Aquatica Plumbing Group**

#561, 7620 Elbow Dr. SW, Calgary, AB T2V 1K2, CANADA

Tel.: 1 866 606 AQUA (2782) | e-mail: info@aquaticaplumbing.com

Designed in EU and Canada